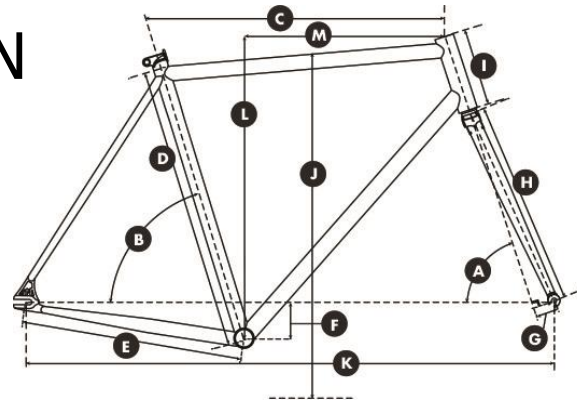


GORILLA MONSOON SPEC

COMPLETE BUILD - \$2099	
Headset	Cane Creek 40 Series
Stem	Promax 3D forged stem
Handlebar	Salsa Cowchipper
Bar Tape	All-City silicone bar tape w/locking end plugs
Shifter/Brake Lever	SRAM Apex 1 mechanical (1x11)
Front Derailleur	N/A
Rear Derailleur	SRAM Apex 1, long cage
Brakeset	Hayes CX Expert, 160mm front & rear
Crankset	FSA Comet 1x, direct mount 36t ring
Bottom Bracket	MegaExo
Seatpost	TranzX dropper, 30.9, 80mm travel, 31.8mm trigger clamp
Saddle	All-City Gonzo
Cassette	SunRace 11-speed, 11-42t
Chain	SRAM PC1110
Hubs	WTB 32h, Shimano driver, 6-bolt rotor mount
Rims	WTB ST i25 TCS 2.0, 27.5", 32h
Tires	WTB Riddler TCS, 27.5 x 2.4"

FRAME - \$850	
Frame Spec	612 Select CroMoly steel. Double-buttet down, top, & seat tubes. Externally tapered, ovalized, & dimpled chainstays, tapered seatstays, replaceable derailleur hanger
Fork	4130 CroMoly tapered fork blades, mountain lugged crown & 15mm thru-axle dropouts, straight steerer tube, IS disc brake tabs
Rear Spacing	142 x 12mm
Brake Compatibility	Disc only, 160mm front & rear minimum rotor size
Seatpost Diameter	30.9mm
Steerer Tube / Headset	1-1/8" threadless, EC34 upper and lower, crown race 30mm
Bottom Bracket	73mm English
Tire Clearance	27.5 x 2.4"
Extras	Rack & fender mounts, E.D. coated for durability & rust prevention

GORILLA MONSOON GEOMETRY



	Size	46cm	49cm	52cm	55cm	58cm	61cm
A	Headtube Angle	71°	71°	71.5°	71.5°	71.5°	71.5°
B	Seat Tube Angle	74°	73.5°	73°	72.5°	72.5°	72.5°
C	Toptube Length	520	535	555	565	585	605
D	Seat Tube Length	470	500	535	565	595	625
E	Chainstay Length	430	430	430	430	430	430
F	Bottom Bracket Drop	71.5	71.5	71.5	71.5	71.5	71.5
G	Fork Offset	50	50	47	47	47	47
H	Total Fork Length	395	395	395	395	395	395
I	Headtube Length	110	125	145	165	190	215
J	Standover	736.6	759.3	792.2	817.5	844	870.8
K	Wheelbase	1001.6	1012.3	1015.3	1030.9	1045.9	1066.4
L	Stack	542	556	579	597	621	644.7
M	Reach	363	369	372	381	389	401
	Handlebar Width	400	420	440	440	460	460
	Stem Length	80	90	100	100	110	120
	Crank Arm Length	170	170	170	175	175	175